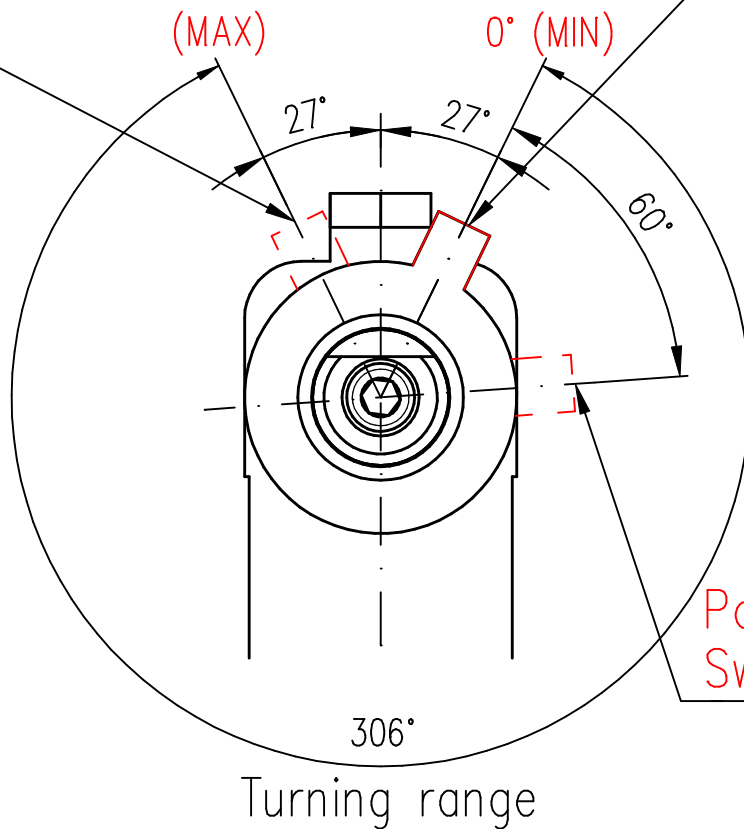


Terminology

Position 3
Turning stop at MAX position

Position 1
Turning stop at MIN position



Position 2
Switching on angle at 22°C

Example

Switching temperature range	-20°C to 210°C±15K
Turning range	0-306°
Switching on(off) temperature at position MIN (pos.1)	-20°C ±20K
Switching on angle at 22°C (pos.2)	60°±15°
Switching off(on) temperature at position MAX (pos.3)	210°C±15K
Hysteresis	10-25K